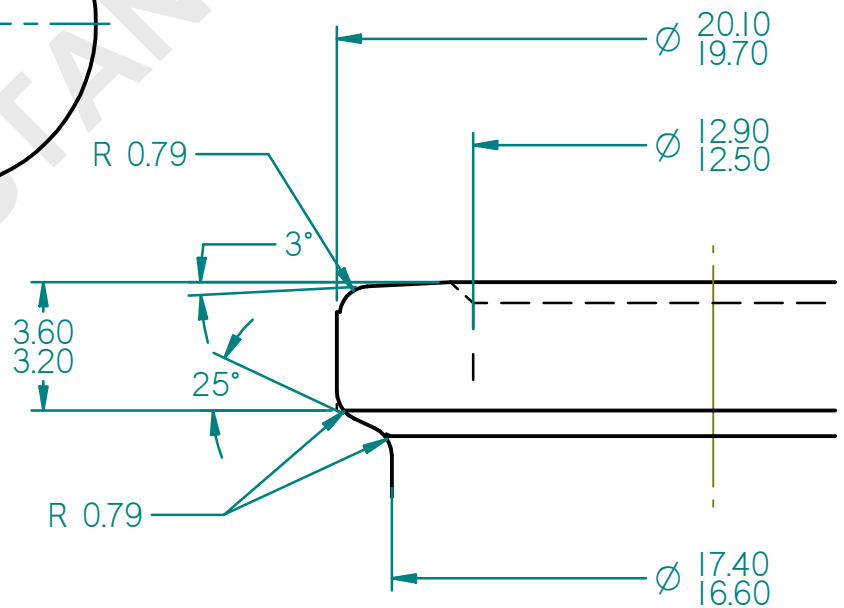
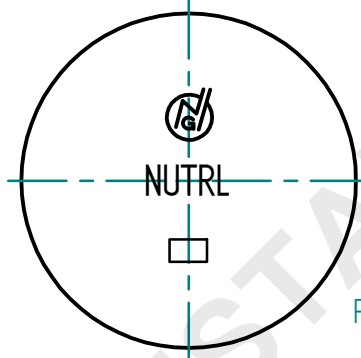
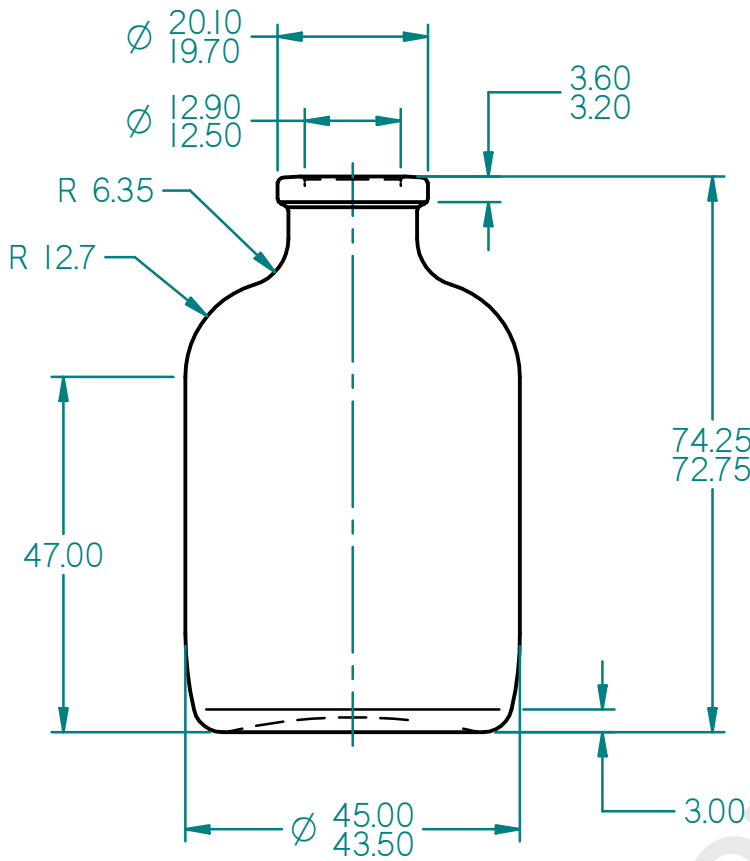


**RELEASE**

DATE:

COMPANY:



FINISH : 20 mm STD.

Protective note ISO 16016 observed

<b>GENERAL TOLERANCES</b> <b>DIN 6129-1</b> (DIMENSIONS WITHOUT TOLERANCES ARE FOR REFERENCE ONLY)				FINISH: 20 mm STD.		O'FLOW CAPACITY: 64.00 - 70.00 ml		ARTICLE NO.:			
				FINISH DWG: NA		WEIGHT: 52 g Approx.		5154010100			
				FINISH MOLD NO: 910		TYPE OF GLASS: I COLOUR: FLINT					
				DATE	NAME	<b>50 ml VICTORY</b>					
				DRAWN	21/11/2013					Paresh	
				CHECKED	21/11/2013					H.B.P.	
				SCALE	1 : 1, 5 : 1						
				 NEUTRAL GLASS & ALLIED INDS. PVT. LTD. MUMBAI / KOSAMBA			MOLD NO.:	DRAWING NO.:	REVISION	SHEET	FORMAT
							045	B 4010		0	1 OF 1
REV.	CHANGE	DATE	NAME	FILE: 50 ml VICTORY.dft							